

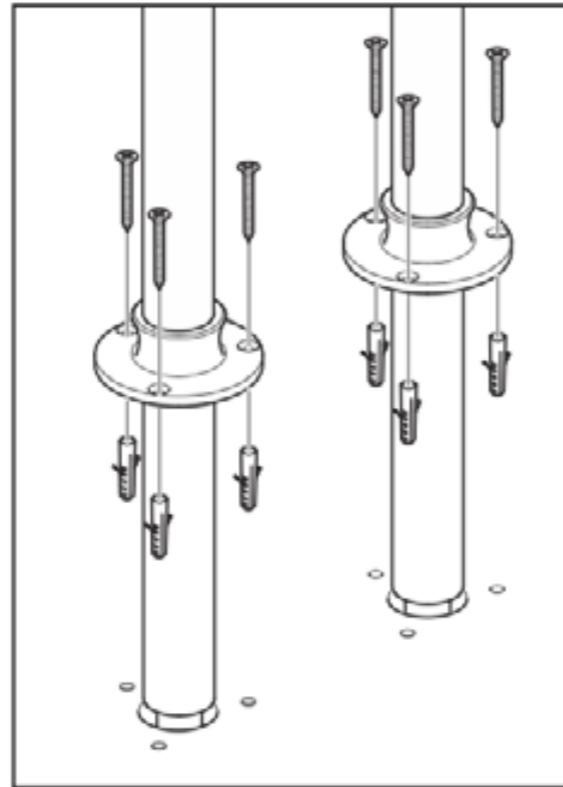
Installation

Drill the 3 holes to the required depth and diameter to suit your fixings and floor.

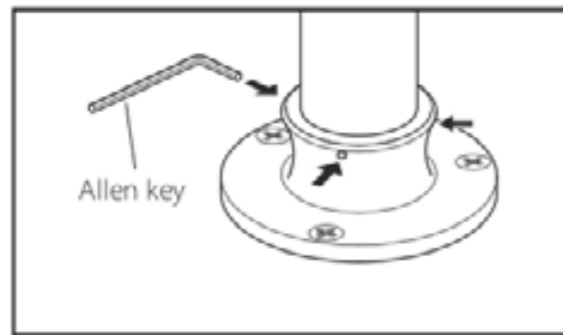
Note: The supplied wall plugs are for use in concrete or stone floors.

Prepare and fix all supply pipe work in position hot should be on the left side and cold on the right.

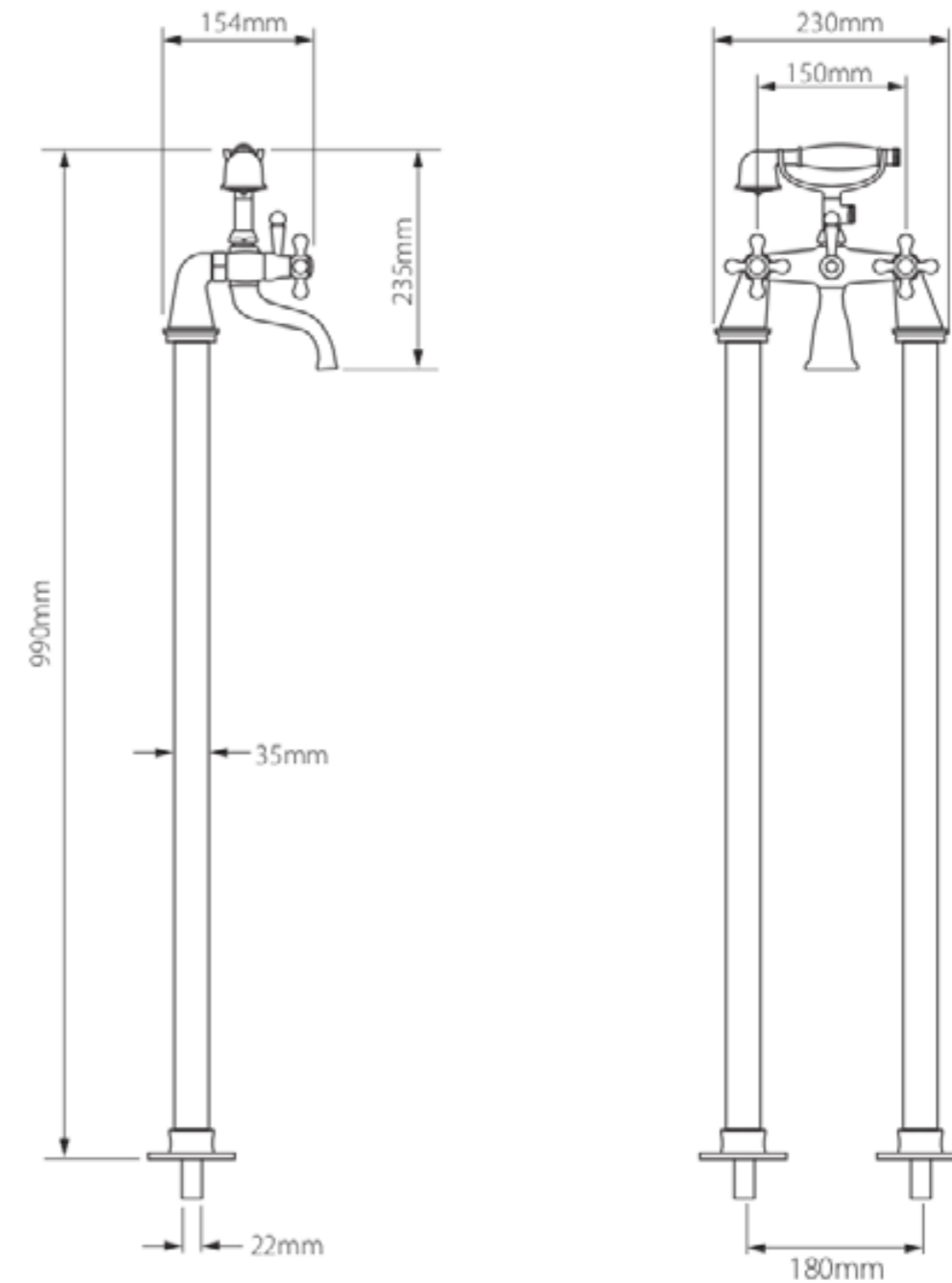
Connect the 22mm copper tails protruding from the base of the support tubes to the supply pipe work. Slide both foot plates down and fix to the floor using your required fixings.



Tighten all 3 grub screws on each foot plate to lock the support tubes in position use the supplied allen key.



Dimensions



Operating Specifications

Hot Water Supply Temperature:

Minimum: 10° C higher than the maximum required mixed temperature (advise 65° C)

Maximum: 85° C

Minimum operating pressure 0.2 bar.

Maximum operating pressure 5 bar

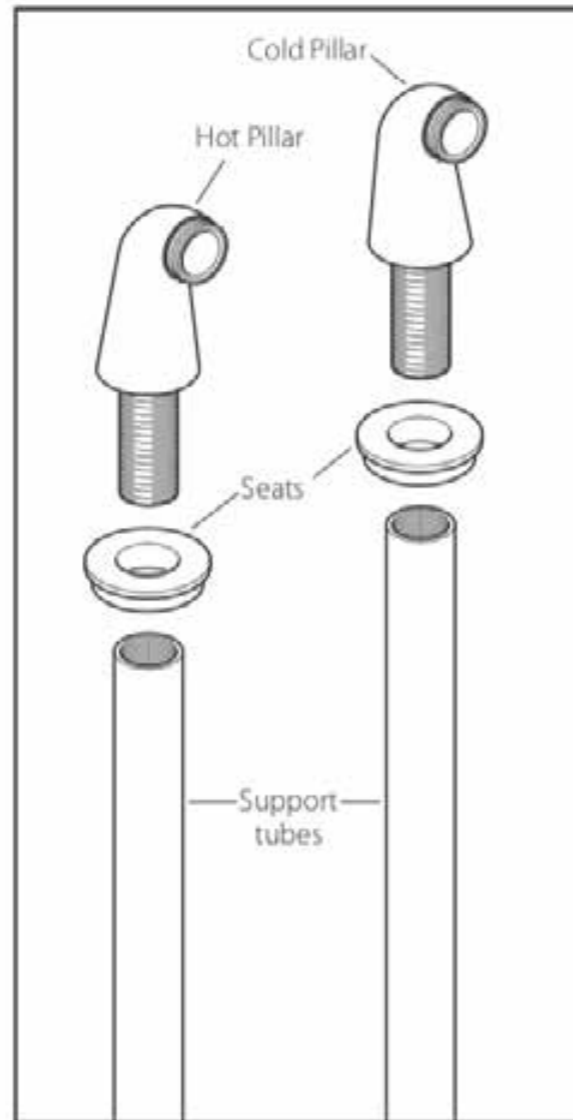
Installation

Before installing your new mixer, flush through the pipe work to ensure removal of debris, turn off the water supply.

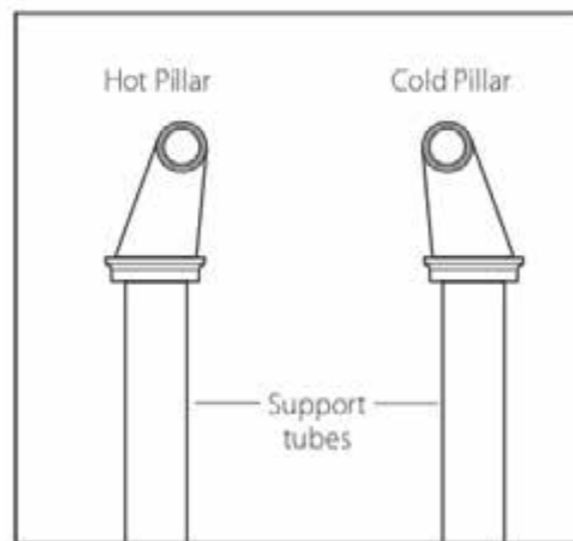
Warning! Please check for any hidden cables and pipes before drilling holes.

Slide a seat over the thread of the pillar. Using PTFE tape screw a support tube onto the thread of the pillar and tighten.

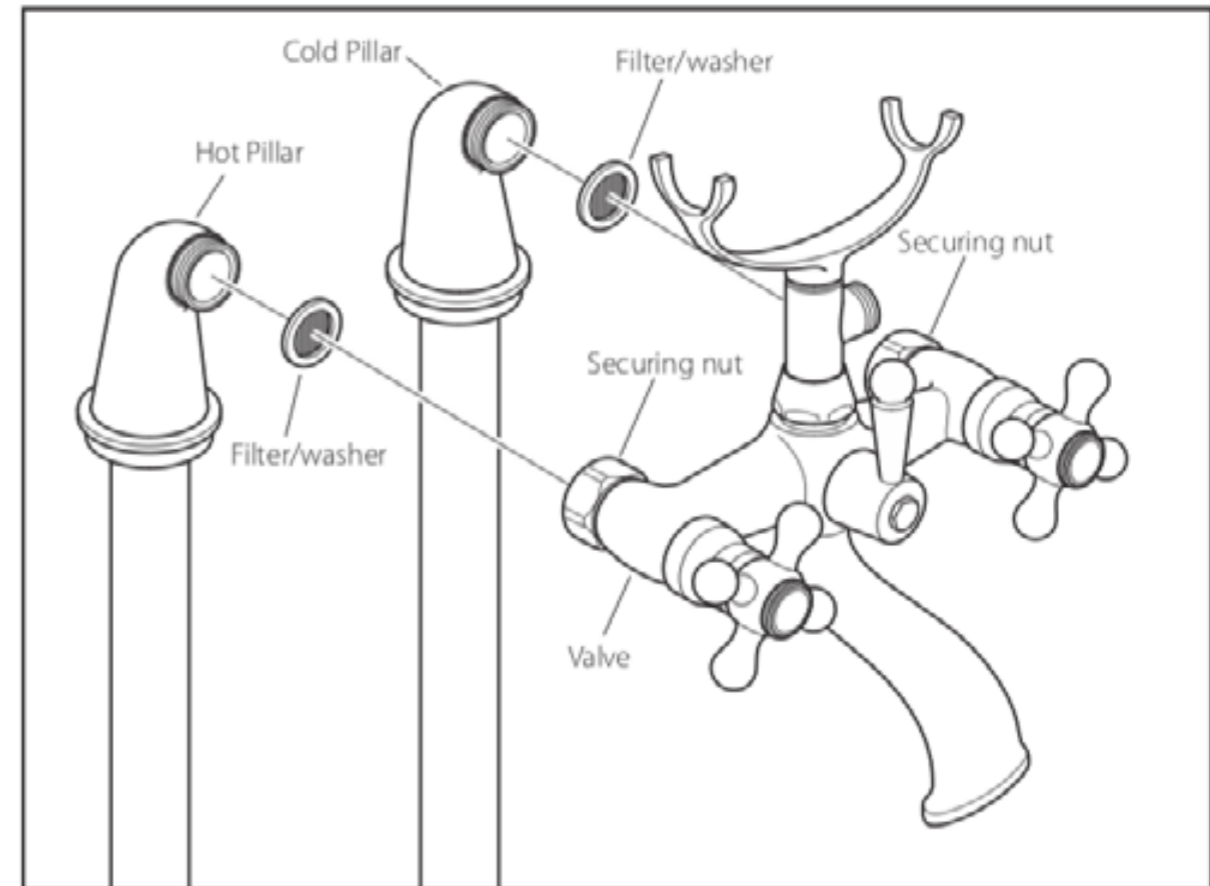
Repeat the same procedure for the other pillar and support tube (see right).



Identify the left and right pillar, each pillar should angle towards the centre (see right).



Installation



Push a filter/washer into both securing nuts on the mixer.
Bolt each pillar to the mixer and tighten. Make that sure they are correctly orientated (see bottom left).

At the bottom temporarily slide a foot plate onto each support tube.
Place the assembly in position and mark each foot plate plus the 3 fixing holes on the floor. Make sure the centres are at 180mm (see right).

