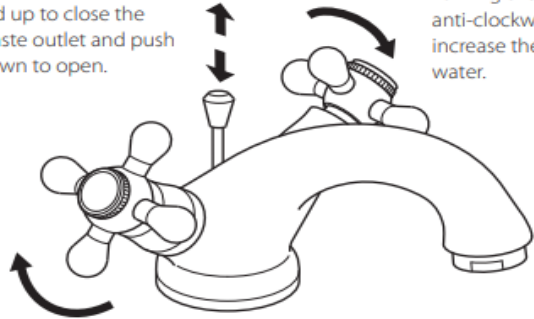


Operation - ceramic disk version

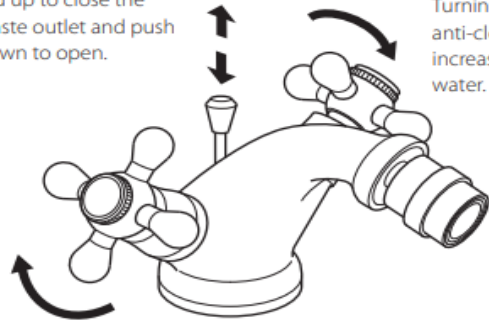
Pull the vertical control rod up to close the waste outlet and push down to open.



Turning the cold handle anti-clockwise will increase the flow of cold water.

Turning the hot handle clockwise will increase the flow of hot water.

Pull the vertical control rod up to close the waste outlet and push down to open.

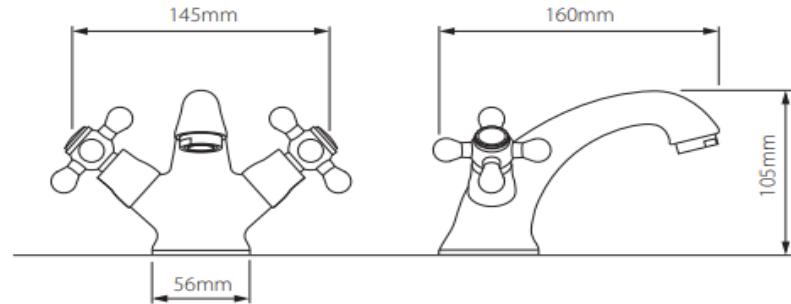


Turning the cold handle anti-clockwise will increase the flow of cold water.

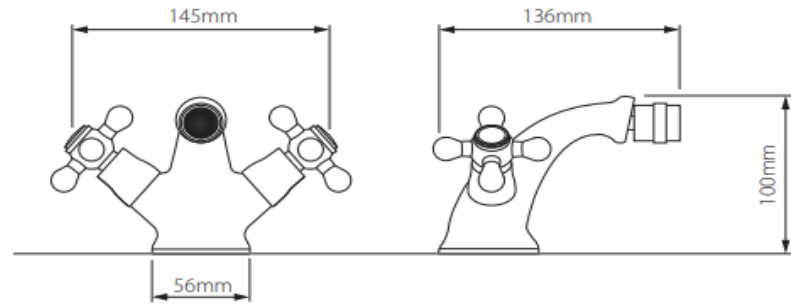
Turning the hot handle clockwise will increase the flow of hot water.

Angle the nozzle to point in required direction.

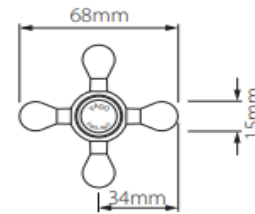
Dimensions



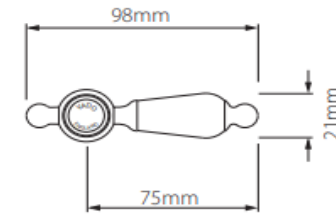
Victorianna basin mixer



Victorianna bidet mixer



Victorianna handles



Kensington handles

Installation

Before installing your new mixer, flush through the pipework to ensure removal of debris, turn off the water supply.

Place the base seal into the groove in the base of the mixer.

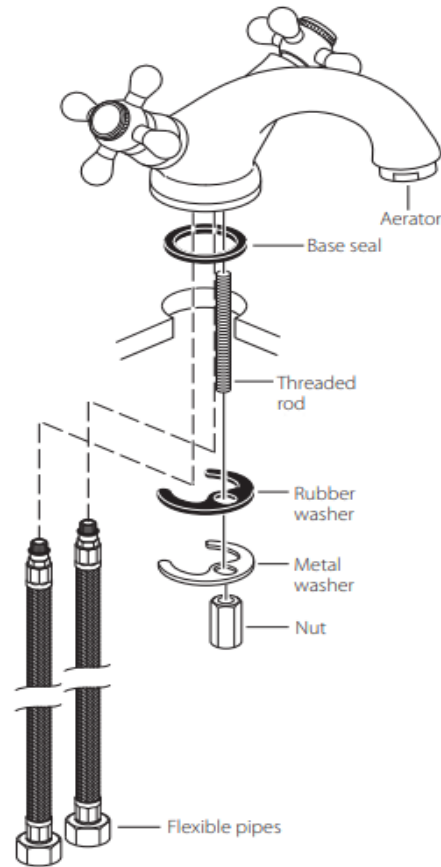
Screw the two flexible pipes to the mixer body, tighten using the correct size spanner, but do not over tighten.

Screw the threaded rod into the front hole in the base of the mixer body, hand tight only.

Push the flexible pipes down through the hole and position the mixer on the basin. From the underside of the basin fit the rubber washer onto the threaded rod followed by the metal washer and the nut. Tighten the nut to clamp the mixer to the basin.

CAUTION: Do not over tighten the nut as this may damage the basin.

Connect the water supply to the inlet pipes. The hot water should be connected to the left hand pipe.



Pop-up waste assembly and installation

Disassemble the pop-up waste and reassemble onto the basin.

Insert the vertical control rod (with knob) down through the hole in the back of the mixer body. Screw the extension into the control rod (see detail).

Unscrew the ball joint retainer on the side opening of the waste body. Insert the short end of the horizontal control rod (with ball joint) into the waste and clamp in position by refitting the ball joint retainer and washer, make sure the washer is the correct way round (fits over the ball). Do not over tighten.

Slide the control rod link onto the horizontal control rod and vertical control rod and loosely tighten.

Test the action of the pop-up waste and fully tighten the rod link. Adjust the ball joint retainer as required.

Turn on the water supply and turn the mixer on fully to flush through any possible debris from the mixer. Finally check all new connections for leaks.

