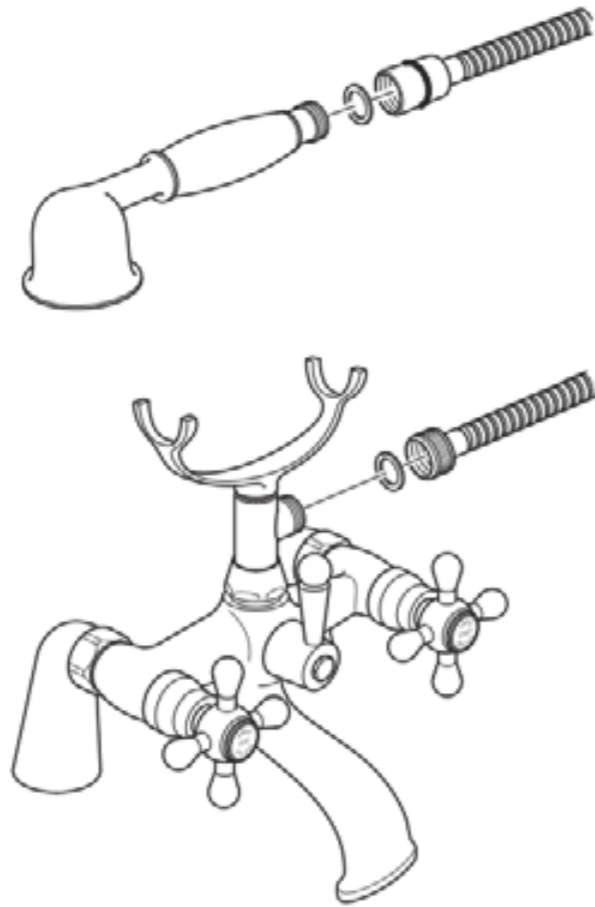


Installation

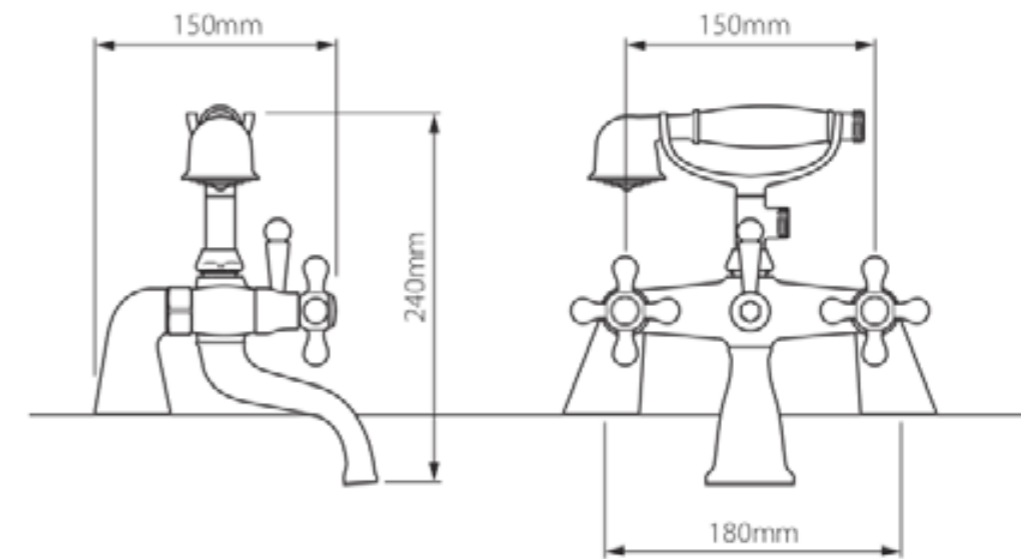
Place one of the rubber washers into the cone end of the hose and screw to the handset.

Place the second rubber washer into the other end of the hose and attach it to the mixer outlet.

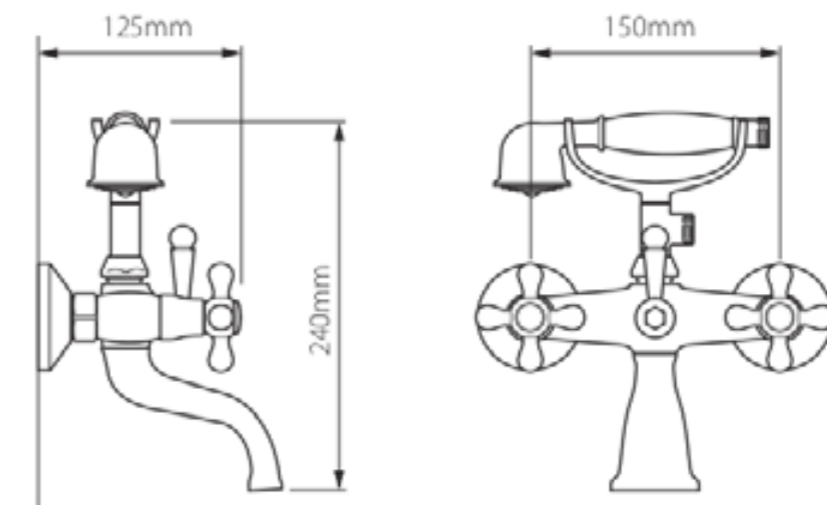
Victoriana deck mounted mixer shown, use the same procedure for the wall mounted mixer.



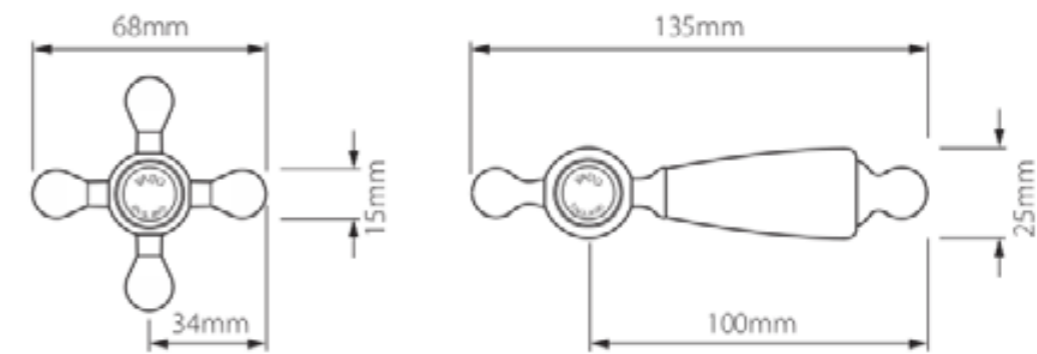
Dimensions



Victoriana deck mounted mixer



Victoriana wall mounted mixer



Victoriana handles

Kensington handles

Installation - deck mounted mixer

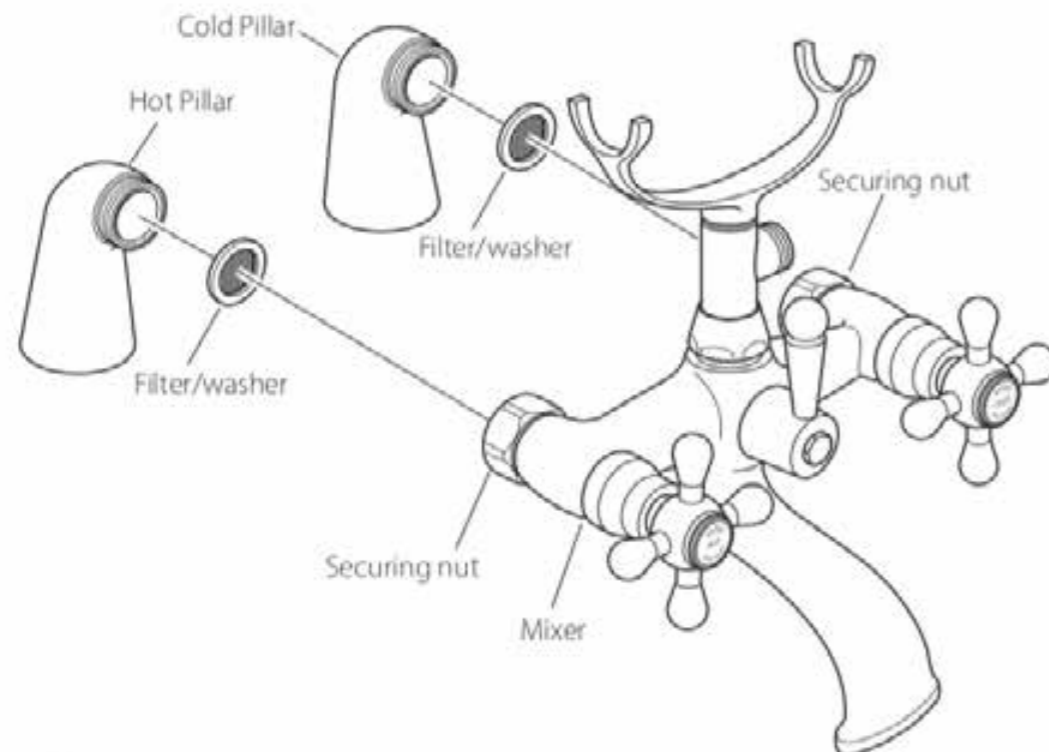
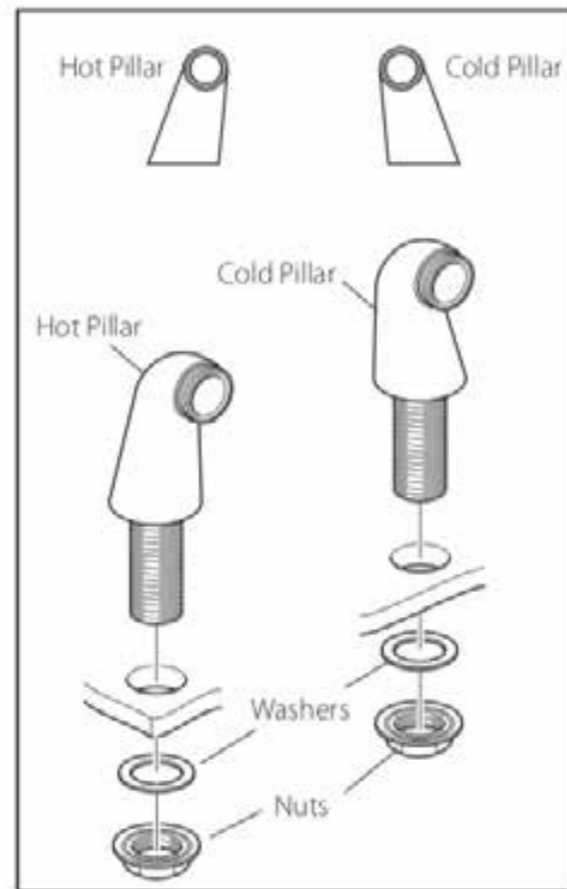
Before installing your new mixer, flush through the pipe work to ensure removal of debris, turn off the water supply.

Identify the left and right pillars and position on the bath. From the underside of the bath fit the rubber washers and nuts. Temporarily hand tighten the nuts (see right).

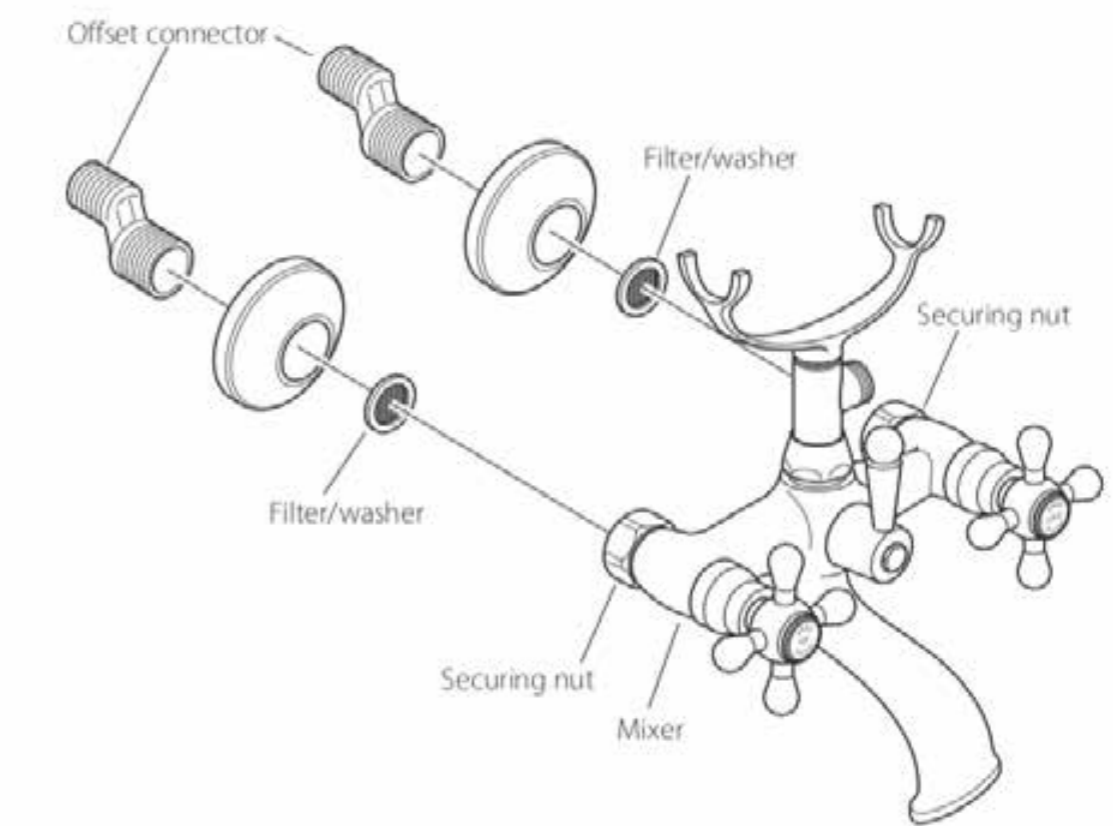
Push a filter/washer into both securing nuts on the mixer. Position the mixer onto the pillars, screw on the securing nuts and tighten (see below).

From the underside, now tighten the nuts to clamp the mixer to the bath.

CAUTION: Do not over tighten the nuts as this may damage the bath. Connect the water supply to the inlet pipes. The hot water should be connected to the left hand pipe.



Installation - wall mounted mixer



Before installing your new mixer, flush through the pipe work to ensure removal of debris, turn off the water supply.

Warning! Please check for any hidden cables and pipes before drilling holes in the wall.

Prepare the wall with 2 flush 1/2" connectors at 150mm centres. Connect the water supply to the inlet pipes. The hot water should be connected to the left hand pipe.

Screw in the 2 offset connectors.

Screw on the covers.

Push a filter/washer into both securing nuts on the mixer.

Screw the mixer onto the connectors, some adjustment can be made to the offset connectors to align the centres and level up the mixer.

Note: The mixer must be connected to rigid pipe work for support as there are no back nuts or fixing holes.

Alternatively a WG-049 quick installation bracket can be used, please contact your retailer for details.